

User Manual

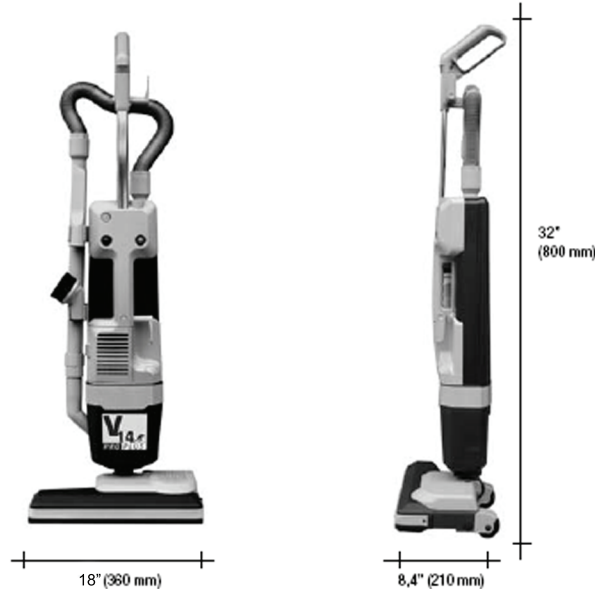


2 Motor Upright

This manual is furnished with each new V14 Pro Plus and V17 Pro Plus. This provides the necessary operating and preventive maintenance instructions. Operators must read and understand this manual before operating or servicing this machine.

This machine was designed to give you excellent performance and efficiency. For best result and minimal cost, please follow the general guidelines below:

- Operate the machine with reasonable care.
- Follow the manufacturer's suggested maintenance instructions as provided in this booklet.
- Use original Minuteman supplied parts.



Model V14 Pro Plus
Model No. V14115PP

	V14115PP	V17115PP
Current max	9.5 Amps	9.5 Amps
Vacuum motor power	1150 W	1150 W
Brush motor power	150 W	150 W
Working width	14" (350 mm)	17" (432 mm)
Weight	14.8 Amps	14.8 Amps
Noise level	68 dB(A)	68 dB(A)
Voltage	120/60 Hz	120/60 Hz
Electronic card, motor blocking	Provided	Provided
Transmission	Poly V Belt	Poly V Belt
Air flow	106 cfm (50 l/s)	106 cfm (50 l/s)
Dust bag	61 cu.in. (6.5 l)	61 cu.in. (6.5 l)
Cable	50 ft (15 m)	50 ft (15 m)
Protection	3-wire ground	3-wire ground
Suction	104" of water (26 kpa)	104" of water (26 kpa)



Safety instructions 6
Unpacking instructions 7
Machine overview 8
Connecting the hose 9
Telescoping extension 10
Starting the brush 11
Checking the brush 12
Filter full indicator 13
Replacing the filter bag 14
Replacing the filter 15
Replacing the Hepa filter 16
Removing debris from the outer duct 17
Removing debris from the inner duct 18
Accessories provided 19
For safety during operation 20
Warning 21
Minuteman International Limited Warranty 22-23

IMPORTANT SAFETY INSTRUCTIONS

Operators must read and understand this manual before operating or maintaining this machine.

Do not operate this machine in flammable or explosive areas.

This machine is designed solely for vacuuming dirt and dust in an indoor environment. Minuteman does not recommend using this machine in any other capacity.

The following information below may cause a potential hazard to the operator and equipment. Read this manual carefully and be aware when these conditions can exist. Take necessary steps to locate all safety devices on the machine and train the personnel operating the machine. Report any machine damage or faulty operation immediately. Do not use machine if it is not in proper operating condition.

FOR SAFETY DURING OPERATION

Keep hands and feet clear of moving parts while machine is in operation.

Make sure all safety devices are in place and operate properly. All covers, doors and latches must be closed and fastened before use.

During operation, attention should be paid to other persons in the work area and especially if small children are present.

Electric motors and components can cause an explosion when operated near explosive materials or vapor. Do not operate this machine near flammable materials such as solvents, thinners, fuels, grain dust, etc.

Store or park this machine on a level surface only.

This machine is not suitable for picking up hazardous dusts.

FOR SAFETY WHEN SERVICING or MAINTAINING MACHINE

Stop on level surface.

Authorized personnel must perform repairs and maintenance. Use Minuteman supplied replacement parts.

SAVE THESE INSTRUCTIONS

INSPECTION

Carefully unpack and inspect your V14 Pro Plus and V17 Pro Plus for shipping damage. Follow unpacking instructions on shipping pallet. Each unit has been tested and thoroughly inspected before shipment. Any damage is the responsibility of the delivery carrier who should be notified immediately.

Operator Responsibility

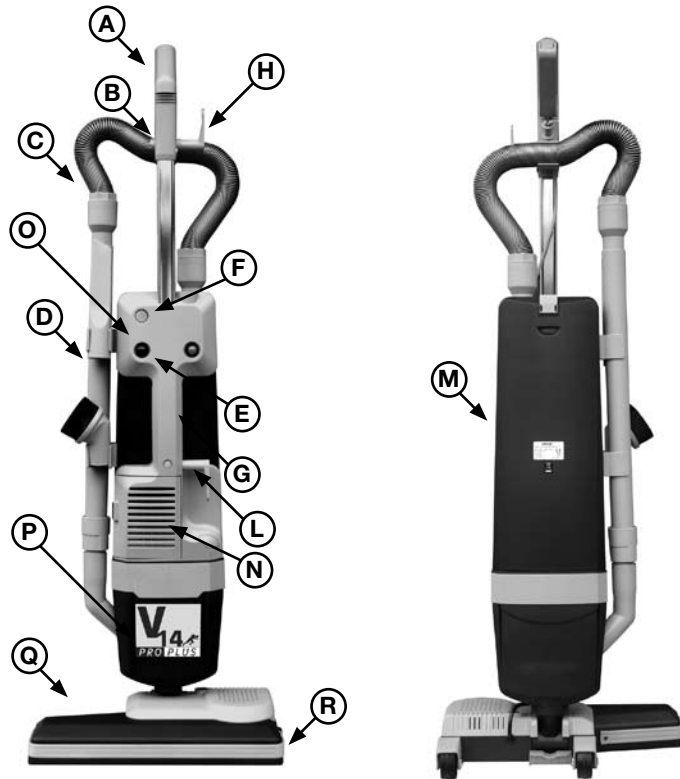
Read this manual carefully before operating this machine.

The operator is responsible for taking care of the daily maintenance and inspection of the machine to keep it in good working condition. The operator must inform the service mechanic or supervisor when the scheduled maintenance intervals are required as stated in the MAINTENANCE section of this manual.

Machine Overview

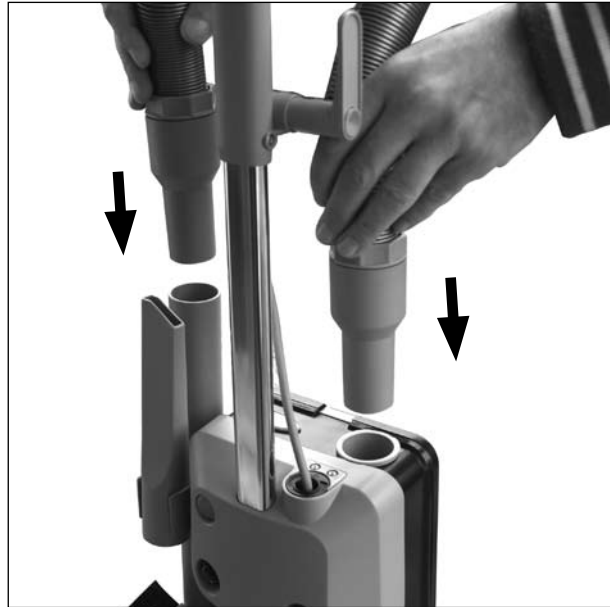
Machine Overview

- A Ergonomic handle
- B Power cord
- C Hose
- D Telescoping extension
- E ON/OFF switch
- F HI/LO vac motor switch
- G Carrying handle
- H Upper cord winding device
- L Lower cord winding device
- M Dust bag cover
- N Vent grid
- O Container
- P Electric vac motor housing
- Q Electric brush
- R Base



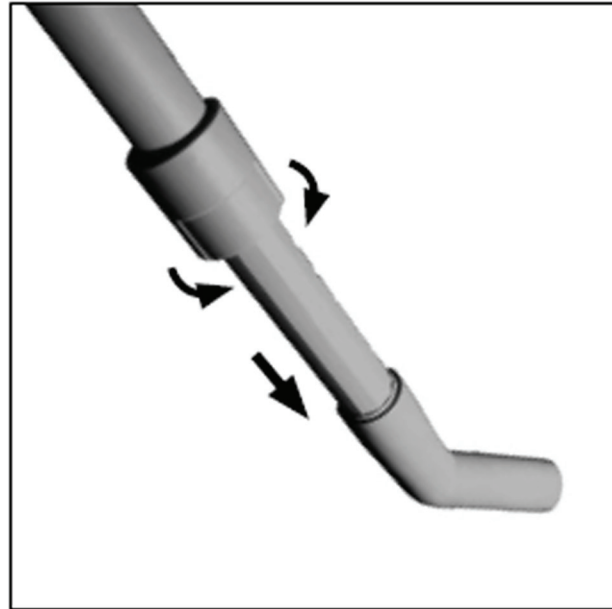
Connecting the hose

Insert the swivel cuff into the bag-holding sleeve, insert the other end of the swivel cuff into the telescoping element, and hook the hose to the handle.



Operating the telescoping extension

Extend the telescoping extension by pulling it, lock it by turning the dedicated ring nut counter-clockwise.



Starting the brush

Put your foot on the PUSH sign and tilt the vacuum-cleaner body.
The brush automatically stops when the handle is placed in the upright position.



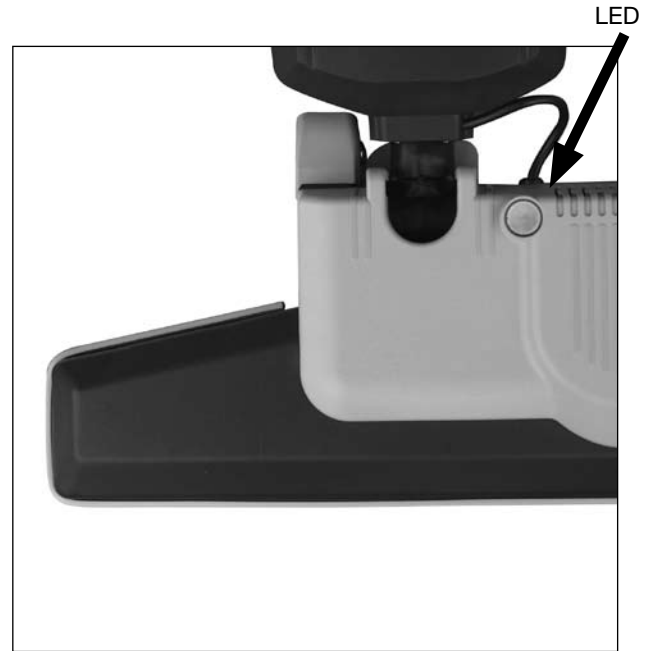
Checking the brush

The brush-checking device continuously monitors the operation of the brush:

Green light: the brush is working correctly

Red light: the brush is either blocked or it is undergoing excessive stress.

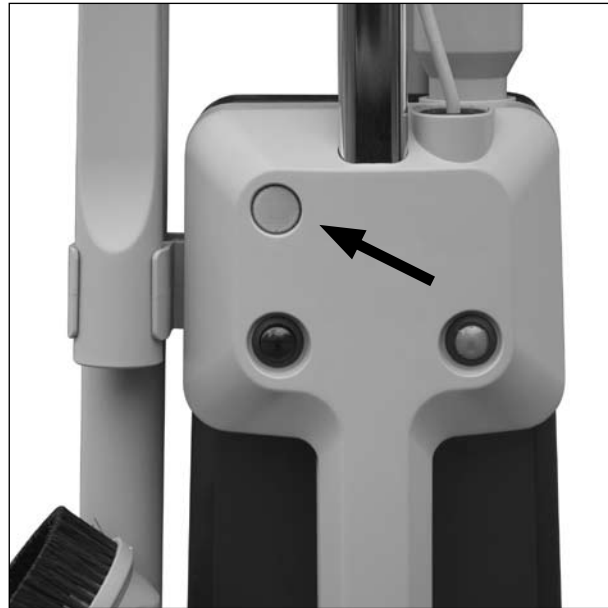
Turn the machine off, detach the plug from the power source, and look for the cause of the blockage.



Filter full indicator

If the “bag full” gauge turns red, please verify:

- a) whether the dust bag is full, or
 - b) whether the brush is clogged, or
 - c) whether the vacuuming hose is clogged;
- in these cases, remove the obstruction
- d) whether the Hepa filter is fully clogged.
- It is normal that during vacuuming the “bag full” gauge flashes red, because the hose is partially closed.

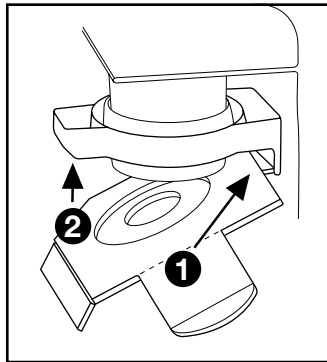


Replacing the filter bag

Remove the cover.

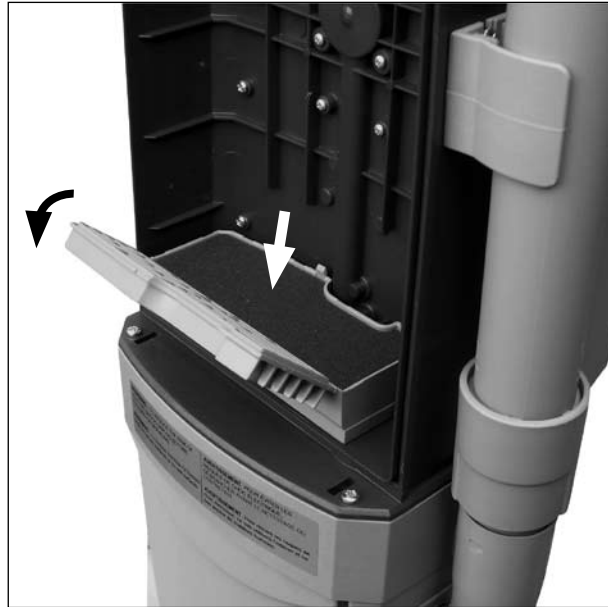
Place the dust bag into the container, by inserting the bag-holding sleeve into the dust bag hole and by pushing the safety ring all the way in.

If the filter bag is not placed correctly, closing the cover will be impossible.



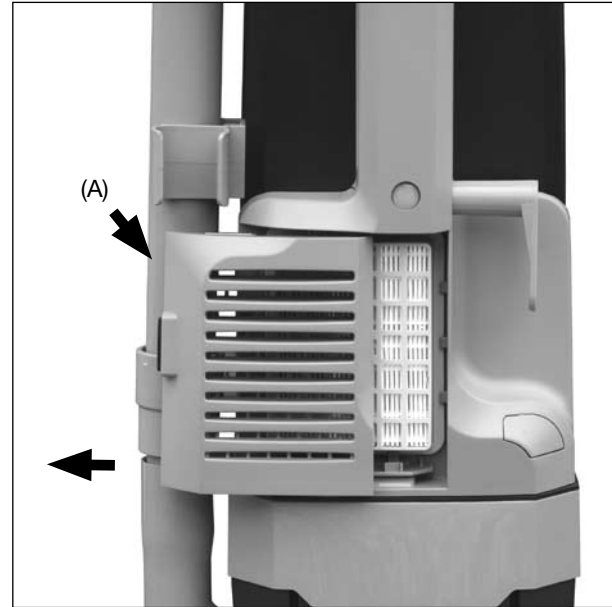
Replacing the filter

Pull out the filter holder and replace the filter, or clean it by tapping it lightly (replace it approximately every 20 bags). Do not start the device without the filter in place; the suction of foreign bodies will damage the vacuum motor.



Replacing the HEPA filter; replacing or cleaning the pre-filter

Pull latch "A" in order to unhook the vent grid; at the same time, slide it (in the direction shown by the arrow) so that it comes free. The pre-filter is housed in the air exhaust under the Hepa filter. Replace the pre-filter or clean it, by washing it with water; dry it and carefully replace it in its housing. Assemble the Hepa filter and the vent grid again, by sliding it all the way in until you hear the latch snap into place.



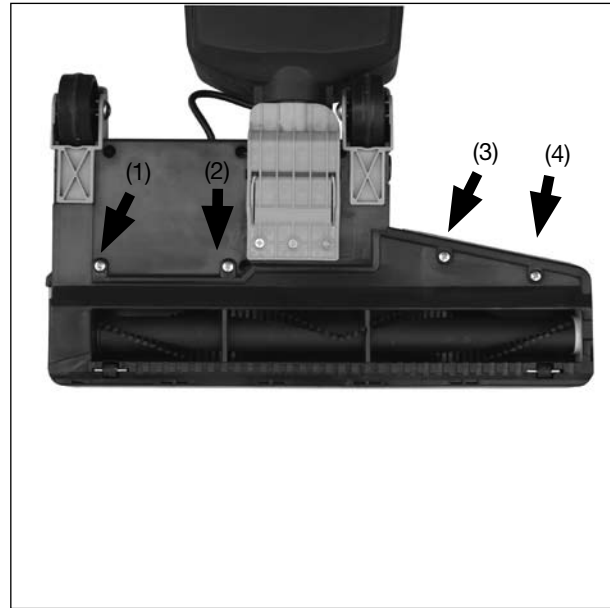
Removing debris from the outer duct

Any material clogging the hose can be removed by detaching the telescoping extension from its seat, turning on the vacuum, and intermittently opening and closing the wand end by hand. Do not insert objects into the hose in order to remove the debris.



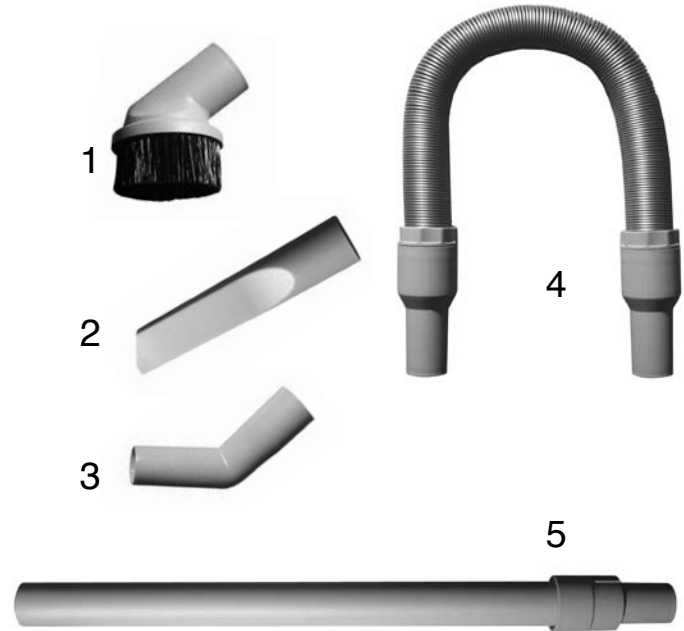
Removing debris from the inner duct

Lay the vacuuming body down flat and aligned, with the electric brush.
Unscrew the 1, 2, 3 and 4 base screws,
remove the base.
Remove the clogged material from the duct
by using a flexible cleaning rod.



Accessories provided

- 1 - Small brush
- 2 - Crevice tool
- 3 - Curved sleeve
- 4 - Hose
- 5 - Telescoping extension



V14 Pro Plus and V17 Pro Plus for safety during operation

This machine was designed with total operator comfort and ease of use in mind. All machine components have been designed as a total system to efficiently clean dirty floors.

- Use extra care when cleaning on stairs.
- Never touch the rotating brush while in use.
- Do not run machine over the vacuum cleaner cord or any extension cord.
- Avoid picking up sharp objects. Always turn off the appliance before connecting or disconnecting the hose.
- If your cleaner is provided with a socket for connection to any other electrical appliance, please note the maximum power allowed, ensure the plug will match the socket and check with your dealer for details.
- The plug connectors, the contacts of power socket must not come in contact with water.
These items may only be cleaned with a dry cloth, no moisture must touch them. Danger of electric shock.
- Clean the unit only with a dry or slightly damp cloth when disconnected from the power supply. Never immerse in water.
- Do not pick up anything that is burning or smoking, such as cigarettes, matches, or hot ashes.
- Never use to pick up flammable or combustible liquids, such as gasoline, or use in areas where fumes may be present.
- Do not put any objects into the openings. Never use with opening blocked, keep free of dust, lint, hair and anything that may reduce the airflow.
- Do not vacuum toner dust. Toner, such as that used in printers and photocopiers can conduct electricity.
- Do not use without dustbag and/or filters in place. Dustbags are disposable and intended to be used only once. Do not attempt to reuse them.
- If your cleaner has the blowing function never use the blower to operate paint sprayers or similar devices that emit volatile or toxic vapors.

WARNING!

- No liability can be accepted for damages to persons and or objects caused by improper use, maintenance carried out by unauthorized personnel, use of unauthorized and non original spare parts, any form of tampering and or modifications to the original product.
- The manufacturer reserves the right to modify the appliance and or the accessories supplied without prior notice.

SAVE THIS INSTRUCTION

Minuteman International Made Simple Commercial Limited Warranty

Minuteman International, Inc. warrants to the original purchaser/user that the product is free from defects in workmanship and materials under normal use. Minuteman will, at its option, repair or replace without charge, parts that fail under normal use and service when operated and maintained in accordance with the applicable operation and instruction manuals. All warranty claims must be submitted through and approved by factory authorized repair stations.

This warranty does not apply to normal wear, or to items whose life is dependent on their use and care, such as belts, cords, switches, hoses, rubber parts, electrical motor components or adjustments. Parts not manufactured by Minuteman are covered by and subject to the warranties and/or guarantees of their manufacturers. Please contact Minuteman for procedures in warranty claims against these manufacturers.

Special warning to purchaser — Use of replacement filters and/or prefilters not manufactured by Minuteman or its designated licensees, will void all warranties expressed or implied. A potential health hazard exists without original equipment replacement.

All warranted items become the sole property of Minuteman or its original manufacturer, whichever the case may be.

Minuteman disclaims any implied warranty, including the warranty of merchantability and the warranty of fitness for a particular purpose. Minuteman assumes no responsibility for any special, incidental or consequential damages.

This limited warranty is applicable only in the U.S.A. and Canada, and is extended only to the original user/purchaser of this product. Customers outside the U.S.A. and Canada should contact their local distributor for export warranty policies. Minuteman is not responsible for costs or repairs performed by persons other than those specifically authorized by Minuteman. This warranty does not apply to damage from transportation, alterations by unauthorized persons, misuse or abuse of the equipment, use of non-compatible chemicals, or damage to property, or loss of income due to malfunctions of the product.

If a difficulty develops with this machine, you should contact the dealer from whom it was purchased.

This warranty gives you specific legal rights, and you may have other rights which vary from state to state. Some states do not allow the exclusion or limitation of special, incidental or consequential damages, or limitations on how long an implied warranty lasts, so the above exclusions and limitations may not apply to you.

Cord Electric Group..... Three years parts, two years labor, ninety days travel (Not to exceed two hours)

Exceptions.....
Port-A-Scrub, one year parts, six months labor
MPV 13, one year parts
V14 & V17 series vacuums, one year parts, one year labor
MPV 14 and 18, two years parts, one year labor
RapidAir blower, one year parts, one year labor
Explosion-Proof Vacuum, one year parts, one year labor
Pneumatic Vacuums, three years parts, one year labor
X 12 and X12H, one year parts, one year labor
TRS 14, one year parts, one year labor

Battery Operated Group... Three years parts, two years labor, ninety days travel
(Not to exceed two hours)

Exceptions... Sweepers, one year parts, one year labor, ninety days travel
(Not to exceed two hours)

Internal Combustion Group.. One year parts, one year labor, ninety day travel
(Not to exceed two hours)

Battery Chargers..... One year replacement

Replacement Parts..... Ninety days

Batteries..... 0-3 months replacement, 4-12 months pro-rate

Polypropylene Plastic Tanks.. Ten years, no additional labor

Minuteman International · 14N845 U.S. Route 20 · Pingree Grove, Illinois 60140 USA
Phone 1-800-323-9420
www.minutemanintl.com

A Member of the Hako Group